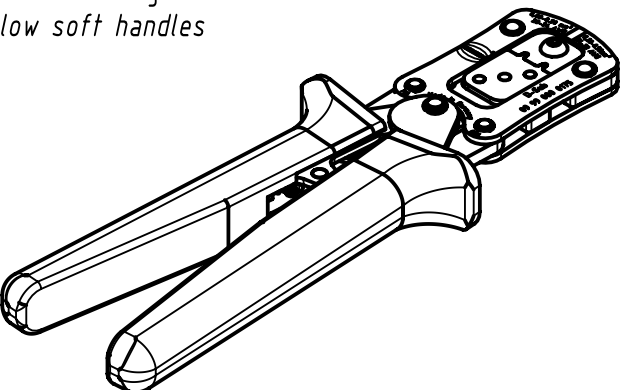


A Crimpwerkzeug für die professionelle Anwendung
Crimping hand tool for professional application

- Leichte Handhabung
Easy handling
- Kleine Bauform
Small size
- Linearer Hub
Straight action principle
- Entriegelbare Zwangssperre
Ratchet release
- Kontaktpositionierung mit Klapppositionierer
Contact positioning with flap locator
- Präzise geschliffene Profile
Precisely ground profiles
- Anwendungsbereich: D-Sub Einzelkontakte
Application range: single D-Sub contacts
- Crimpen von Leiter und Isolation in einem Arbeitsgang
Crimping of wire and insulation in one step
- Gelbe Softhandgriffe
Yellow soft handles



| | | | | | |
|---|---|---------------------------|-----------------------------|--------------------|--|
| All Dimensions in mm Original Size DIN A4 | | Scale 1:1 | Free size tol. | | Ref. Sub. TB 09 99 000 0175 Detail. 09.10.01 Mod. 29856 |
| All rights reserved Department EL PD | Created by WAERMKER | Inspected by HAERTLING | Standardisation HOFFMANN | Date 2019-11-06 | State Final Release |
| | Title SUB-D CRIMP TOOL SINGLE CONTACT | | | | Doc-Key / ECM-Nr. 100073567/UGD/001/B 500000160311 |
| HARTING Electronics GmbH D-32339 Espelkamp | | Type TB | Number 09990000175 | | Rev. B Page 1/1 |